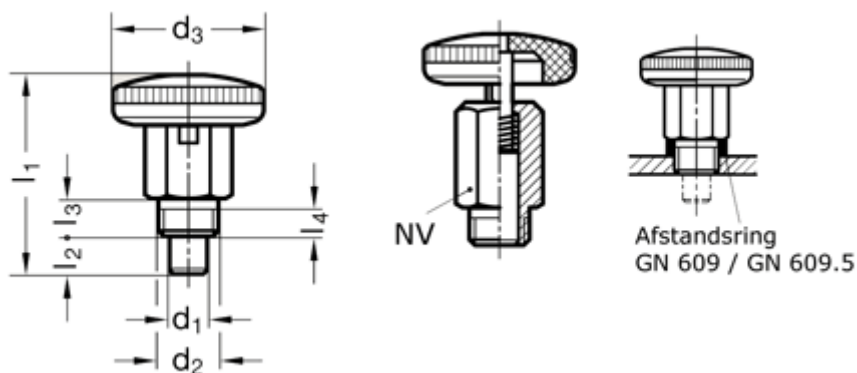


Article number: 201301004

Description: E+G

Mini indexing plunger GN 822.1-7-C-NI

Measures



$d_1 = 7$

$d_2 = M 10 \times 1$

$d_3 = 25$

$l_1 = 34.0$

$l_2 = 7$

$l_3 = 7$

$l_4 = 4.5$

$NV = 12$

Spring pressure N bottom = 18

Spring pressure N top = 5.0